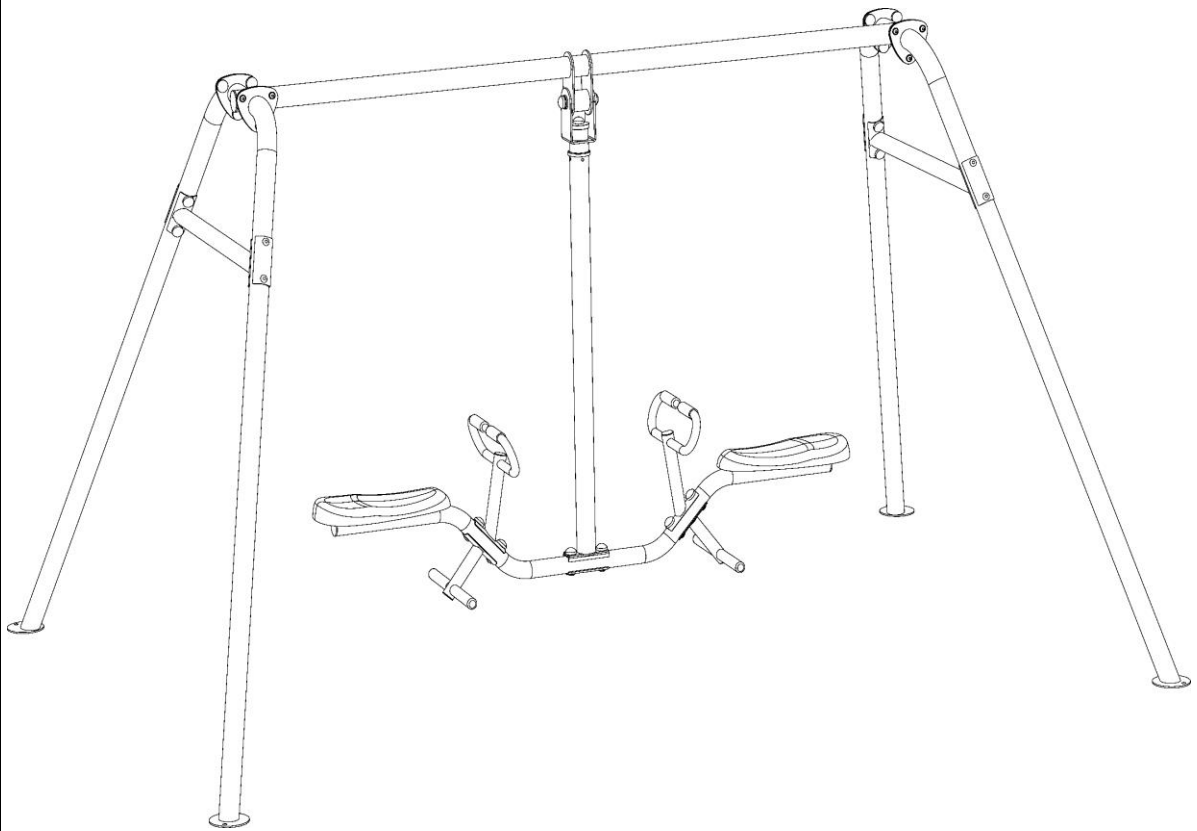


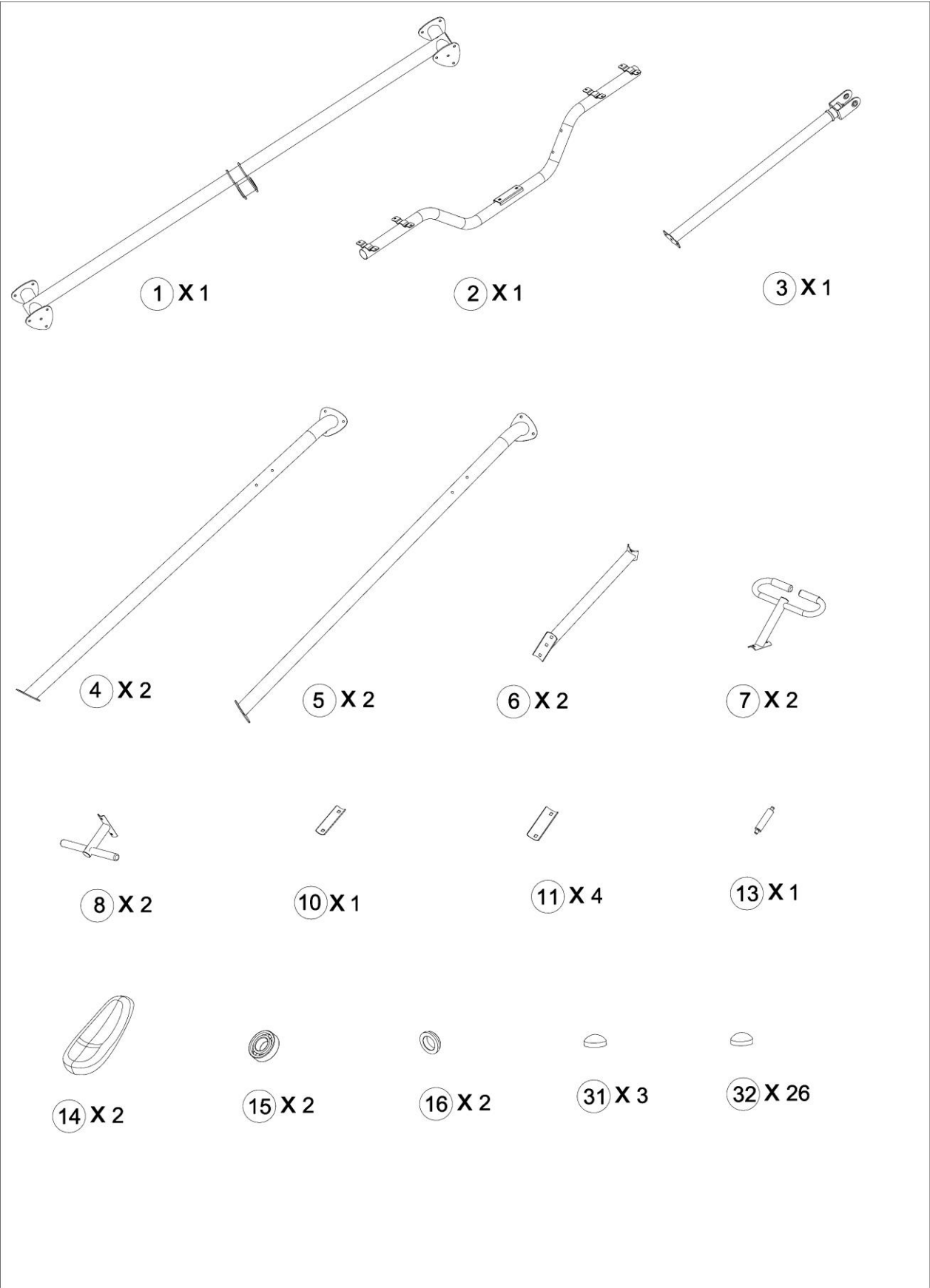
Gym Dandy®

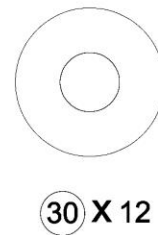
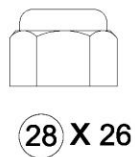
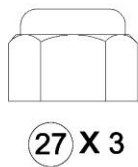
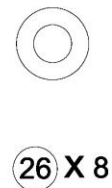
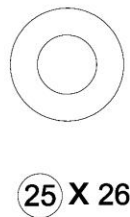
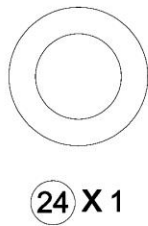
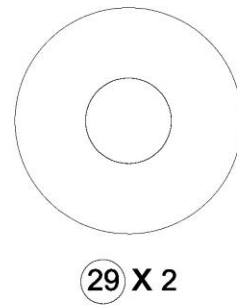
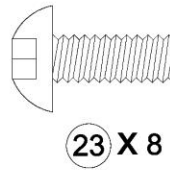
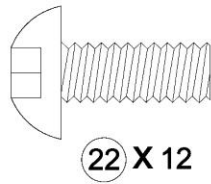
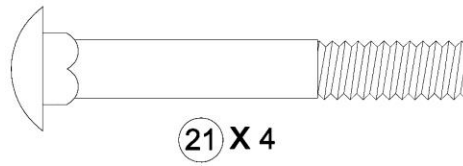
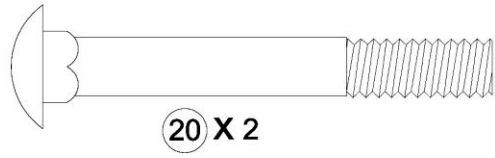
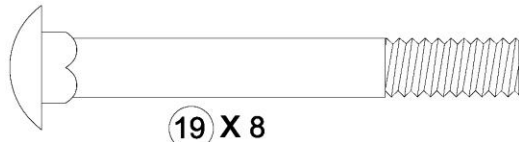
TILT-A-SWING GD-6662



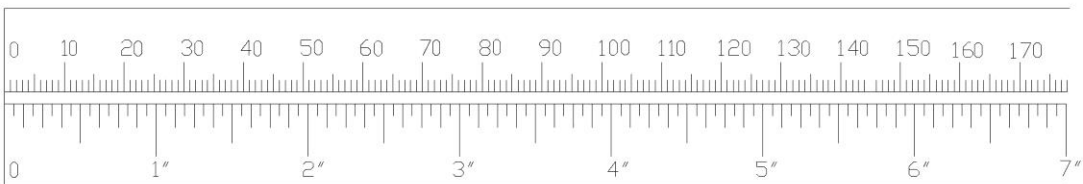
IMPORTANT: Please read the Important Safety Notice and Assembly Information in the Owner's manual before assembling this product.


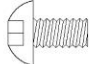



Assembly Manual
190503

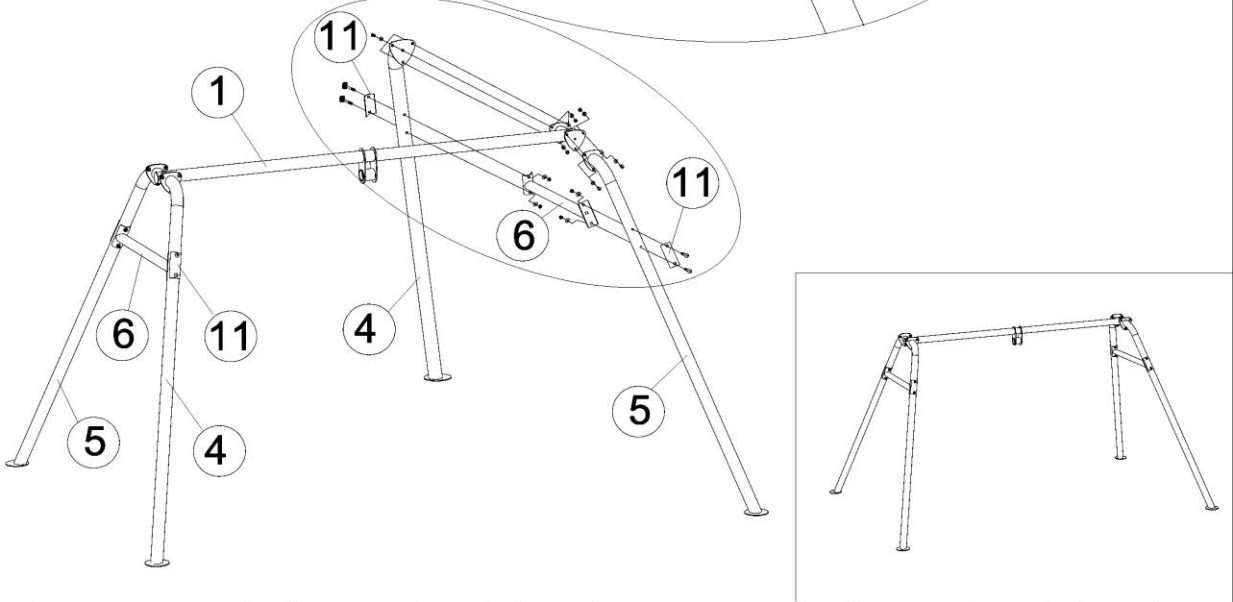
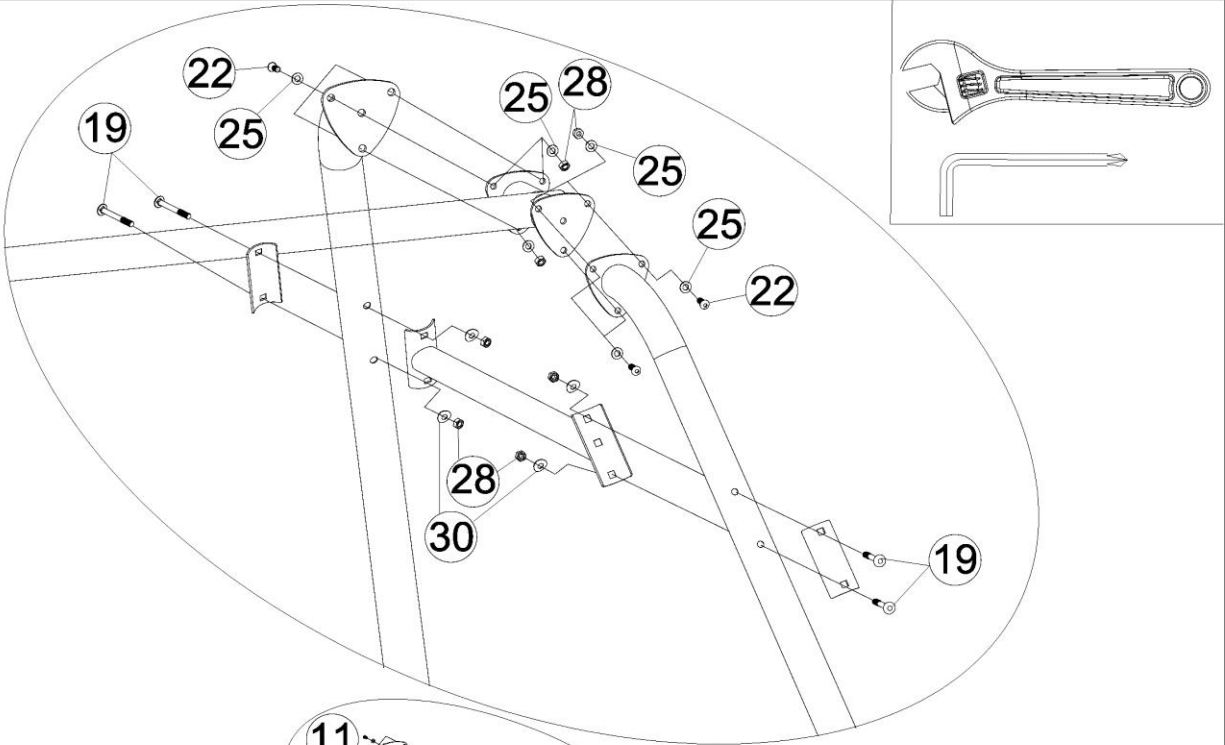




mm



19 X 8		M10 x 3 1/8"
22 X 12		M10 x 1"
25 X 24		Φ 3/4"
28 X 20		M10
30 X 8		Φ 1"

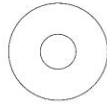


27 X 2

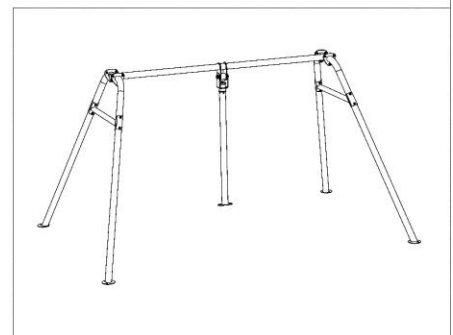
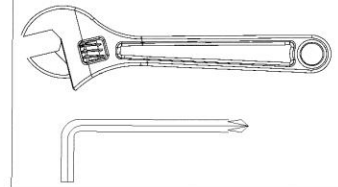
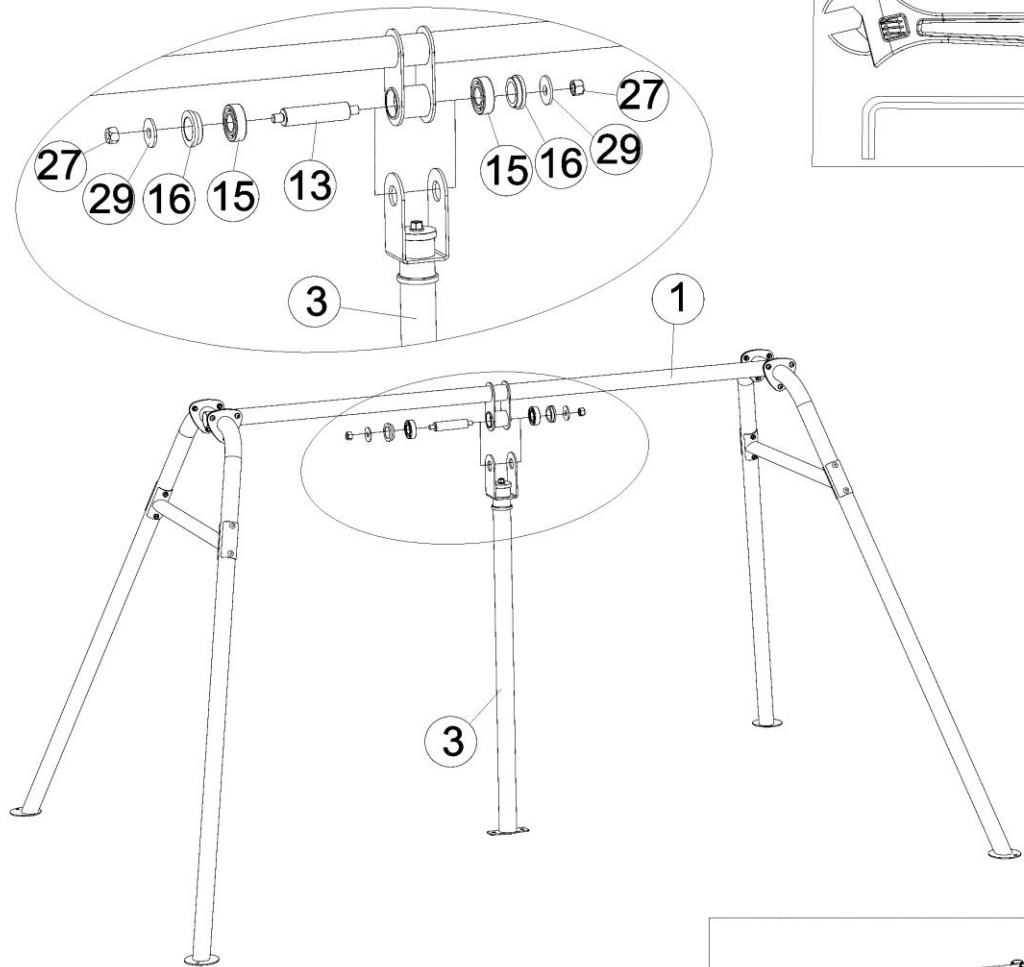


M12

29 X 2



$\Phi \frac{1}{2}$ " X $\Phi 1 \frac{3}{8}$ "



20 X 2



M10 x 3"

25 X 2

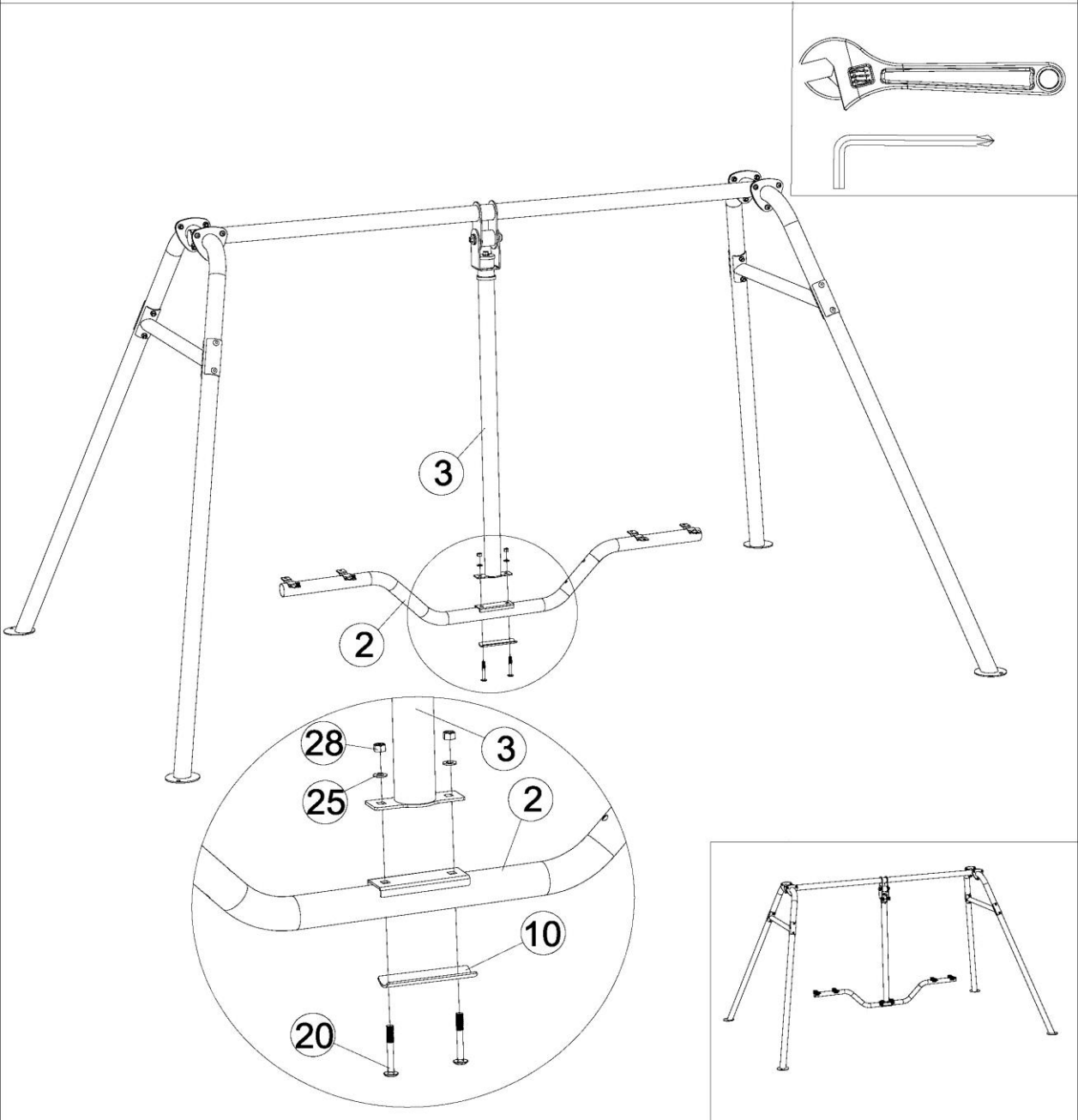


$\Phi \frac{3}{4}$ "

28 X 2



M10



21 X 4



M10 x 2 3/4"

28 X 4

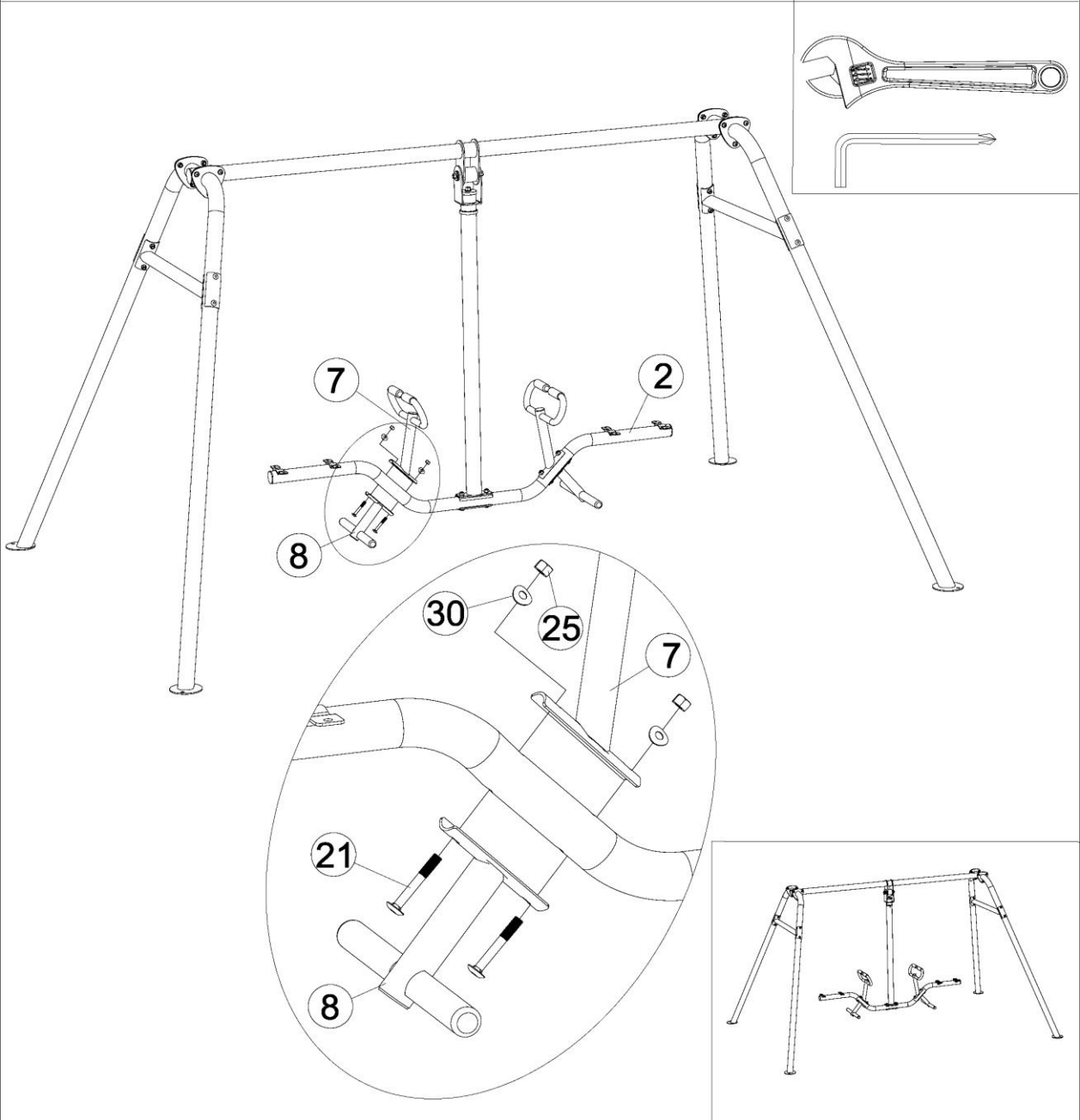


M10

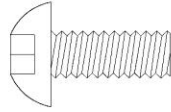
30 X 4



Φ1"



23 X 8

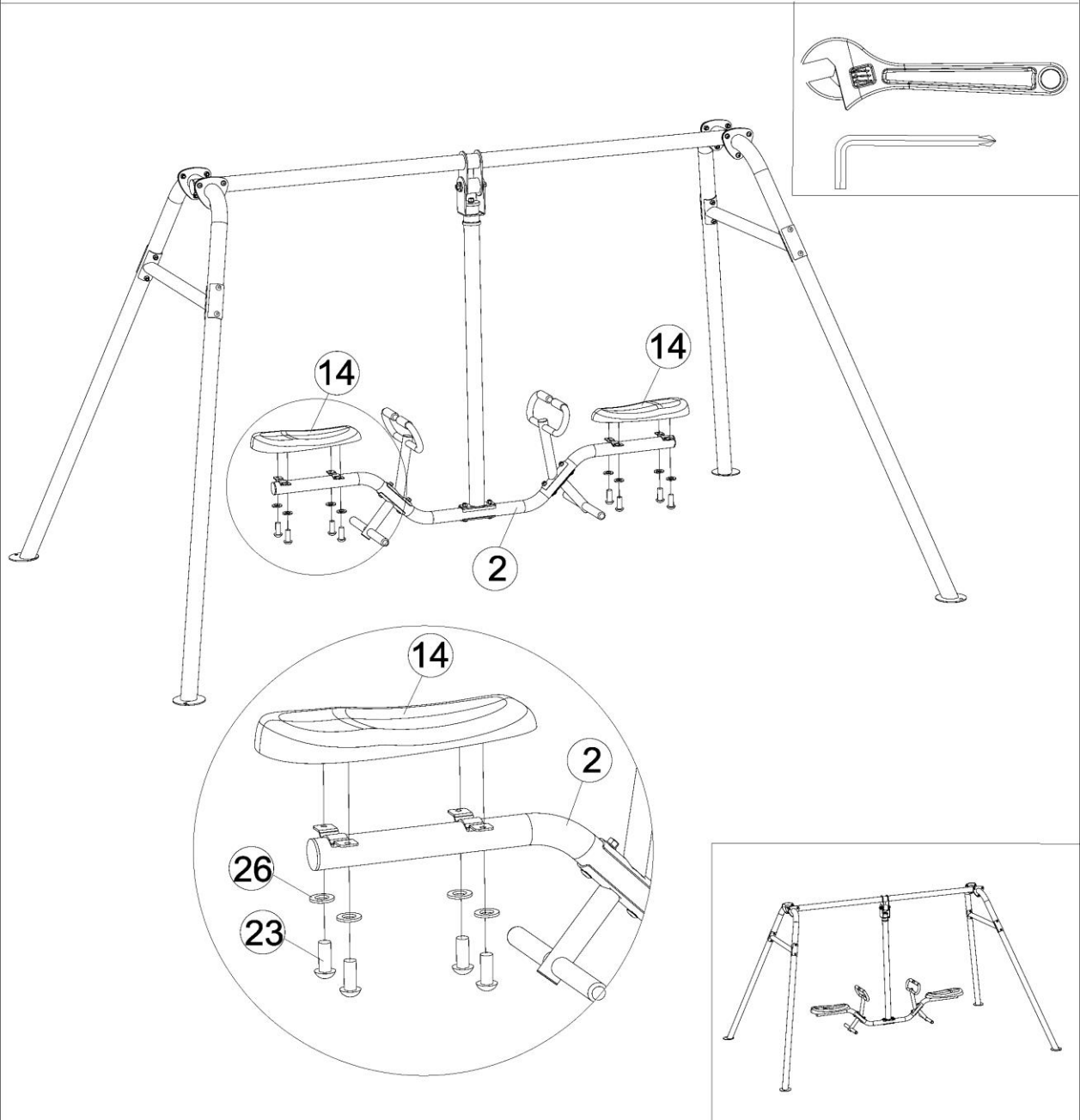


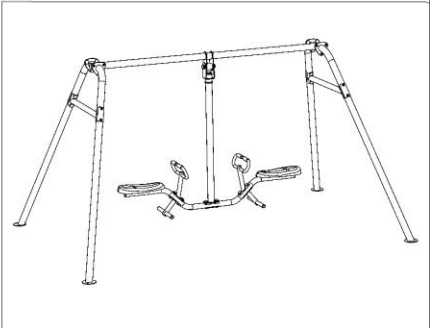
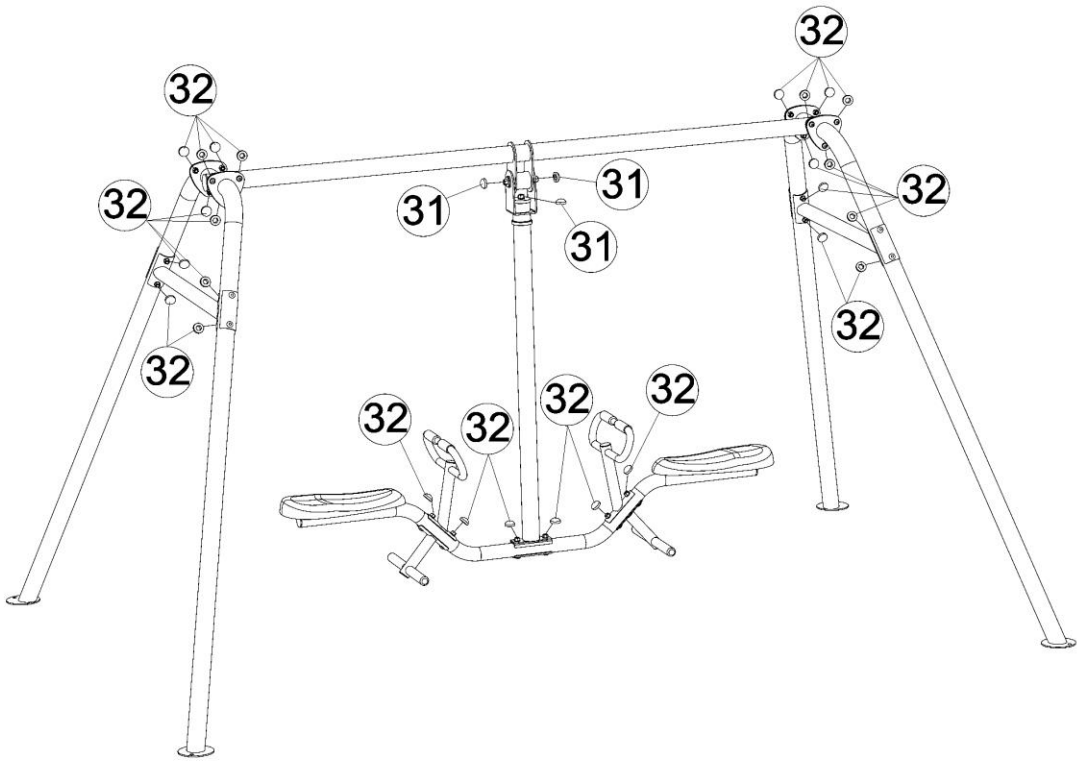
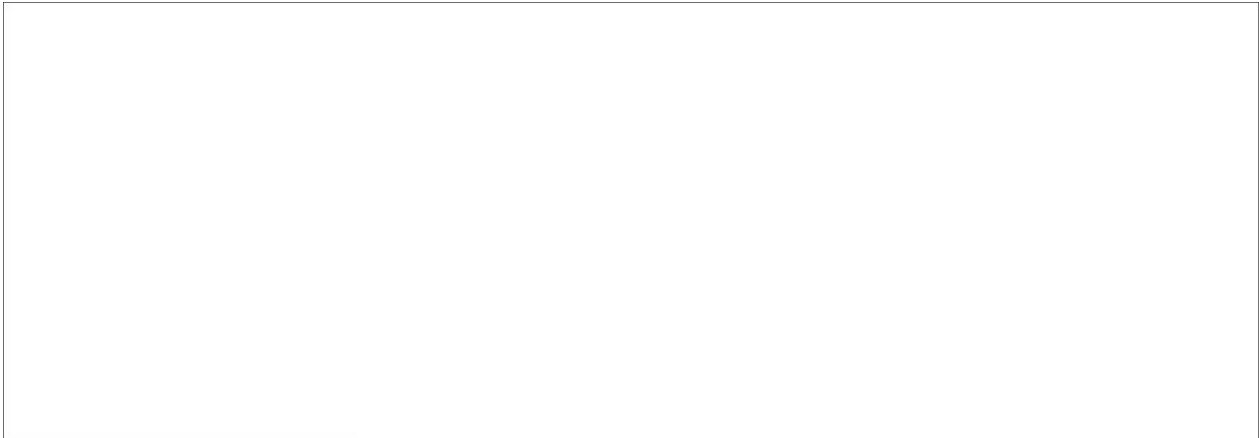
M8 x $\frac{3}{4}$ "

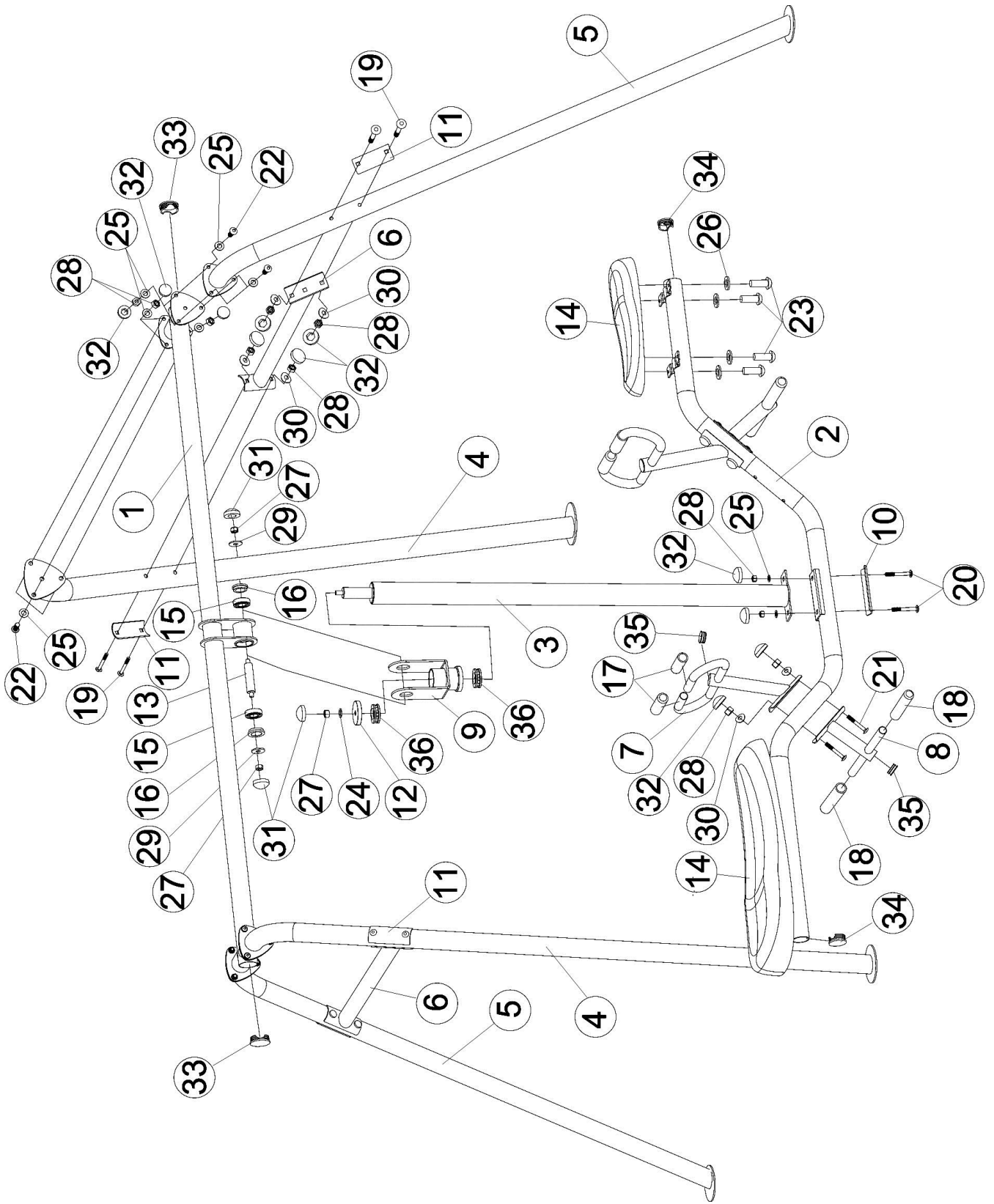
26 X 8



$\Phi \frac{5}{8}$ "







IMPEX® INC.

2801 South Towne Avenue, Pomona, California 91766

Tel: (800) 999-8899 Fax: (626) 961-9966

www.marcypro.com

support@impex-fitness.com